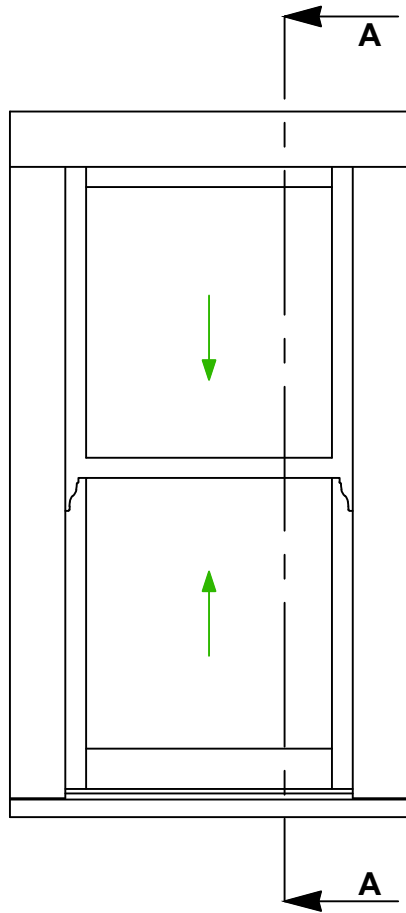
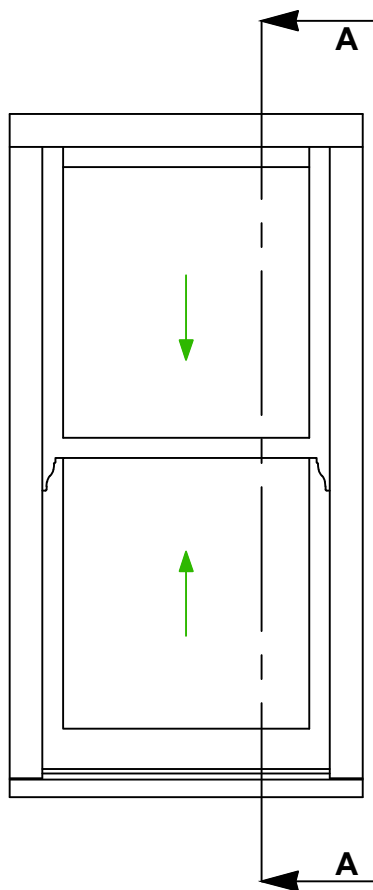


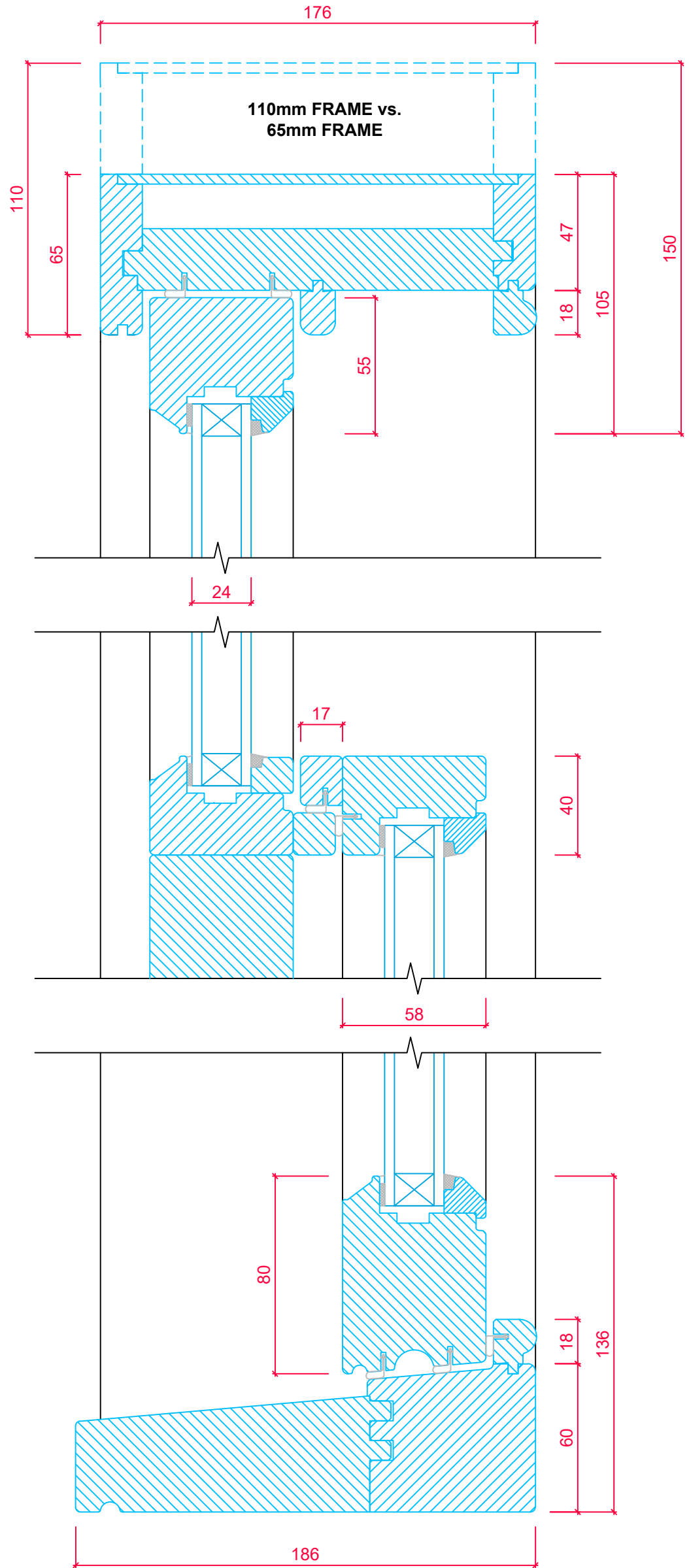
THIS DRAWING AND SPECIFICATIONS ARE THE PROPERTY OF THE PERFORMANCE WINDOW GROUP. THEY ARE ISSUED IN STRICT CONFIDENCE AND SHALL NOT BE REPRODUCED, COPIED OR USED AS THE BASIS FOR MANUFACTURING WITHOUT WRITTEN PERMISSION.



**TYPICAL 110mm-FRAME LAYOUT WITH TOP SASH HORNS**



**TYPICAL 65mm-FRAME LAYOUT WITH TOP SASH HORNS**



**SASH CROSS SECTION 'A-A'**



**TOLERANCES**  
UNLESS OTHERWISE SPECIFIED

ALL DIMENSIONS IN MM  
ALL LINEAR DIMENSIONS ±0.4  
ALL ANGLE DIMENSIONS ±0.5°  
BREAK ALL SHARP EDGES 0.5

PRODUCT RANGE:  
176mm HIDDEN SPRING (Bevel)

TITLE  
VERTICAL SECTION DETAIL  
- TOP, MIDDLE AND BOTTOM RAILS

Rev B

DRAWN BY: AP DATE DRAWN: 01/10/2018 SCALE: 1:2, 1:15