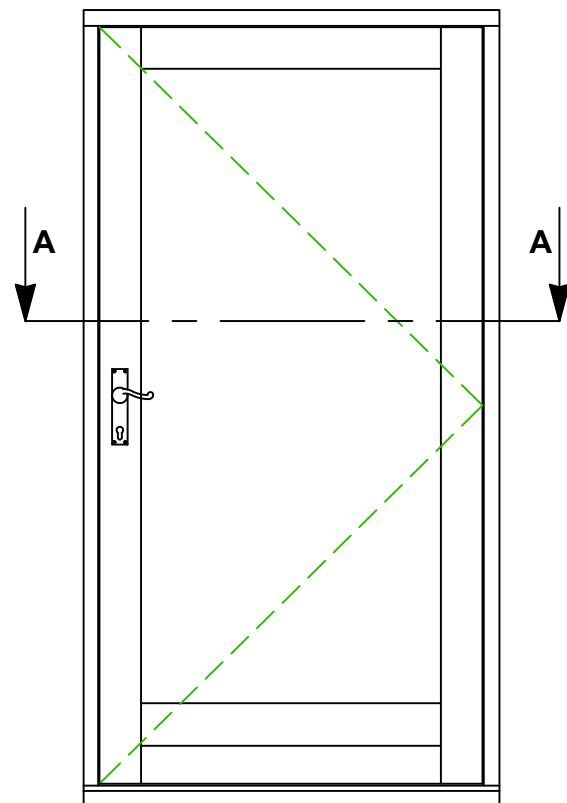
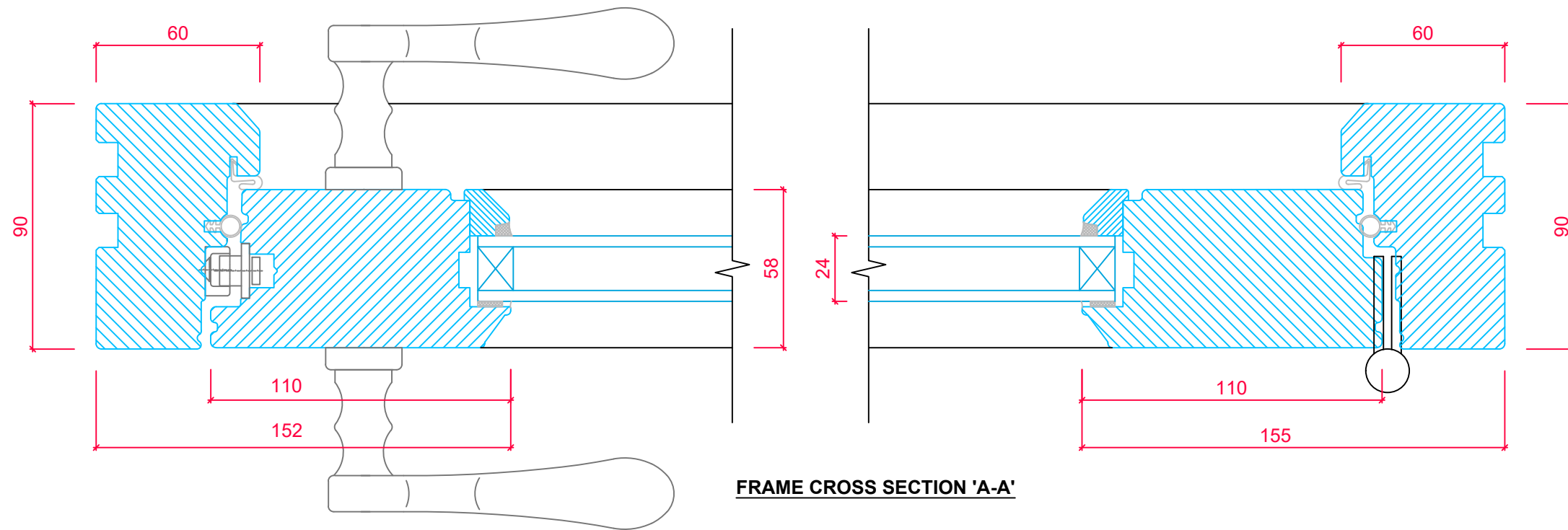



THIS DRAWING AND SPECIFICATIONS ARE THE PROPERTY OF THE PERFORMANCE WINDOW GROUP. THEY ARE ISSUED IN STRICT CONFIDENCE AND SHALL NOT BE REPRODUCED, COPIED OR USED AS THE BASIS FOR MANUFACTURING WITHOUT WRITTEN PERMISSION.



	TOLERANCES <small>UNLESS OTHERWISE SPECIFIED</small>	PRODUCT RANGE: ENTRANCE DOOR - OPEN OUT (Bevel) 24mm Unit
	ALL DIMENSIONS IN MM ALL LINEAR DIMENSIONS ±0.4 ALL ANGLE DIMENSIONS ±0.5° BREAK ALL SHARP EDGES 0.5	TITLE HORIZONTAL SECTION DETAIL - JAMBS
DRAWN BY: LH		DATE DRAWN: 01/03/2017
SCALE: 1:2, 1:20		Rev B